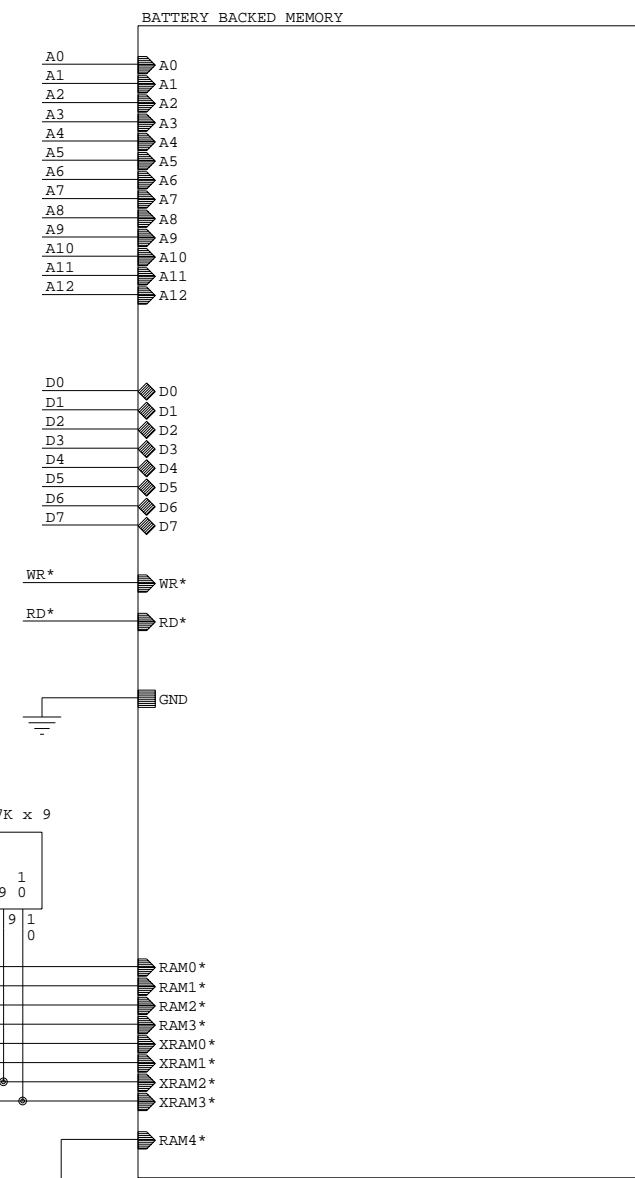
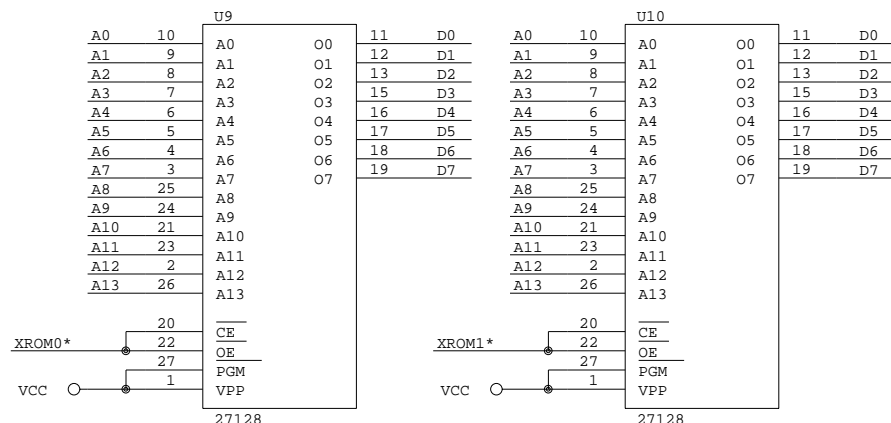
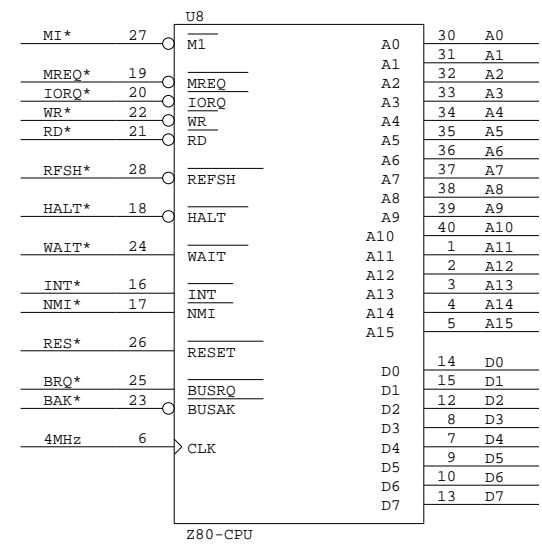
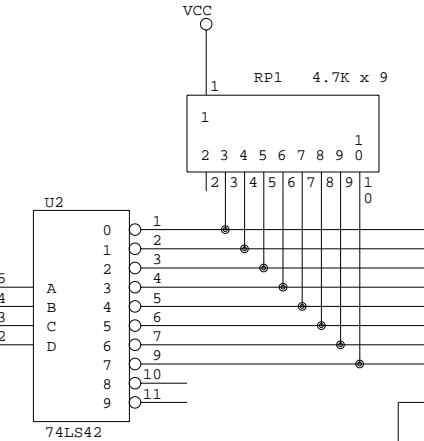
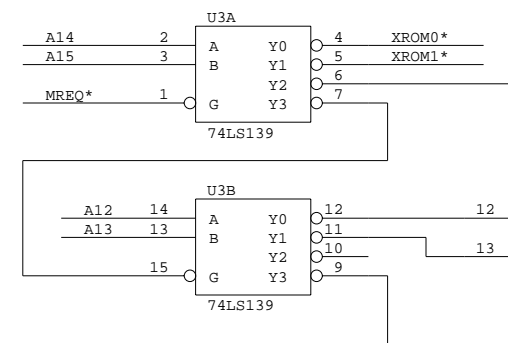
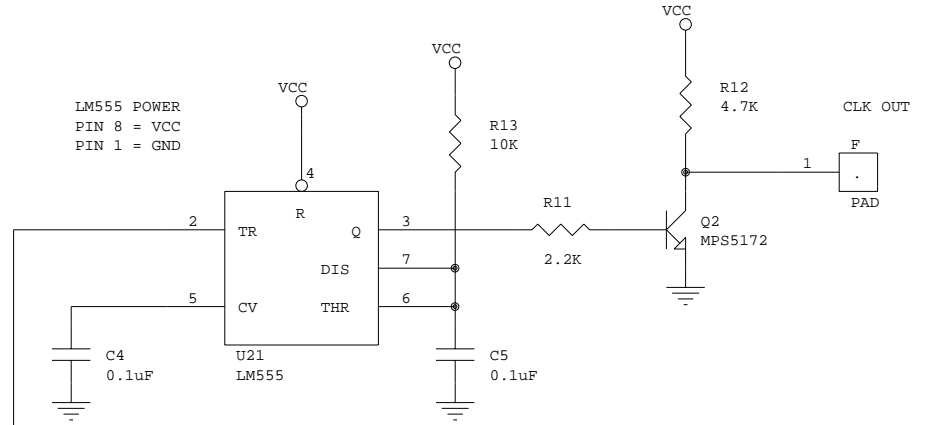
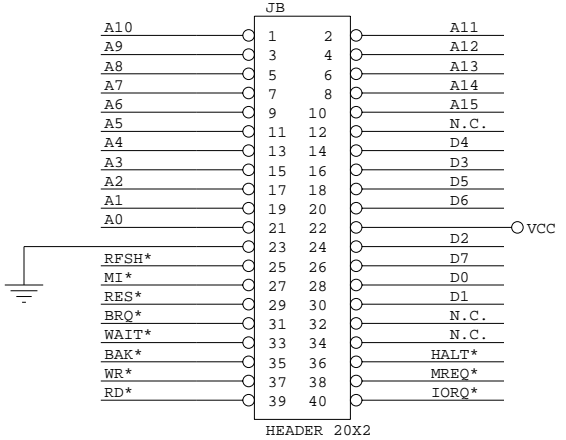


Z80 POWER:
PIN 11 = VCC
PIN 29 = VSS

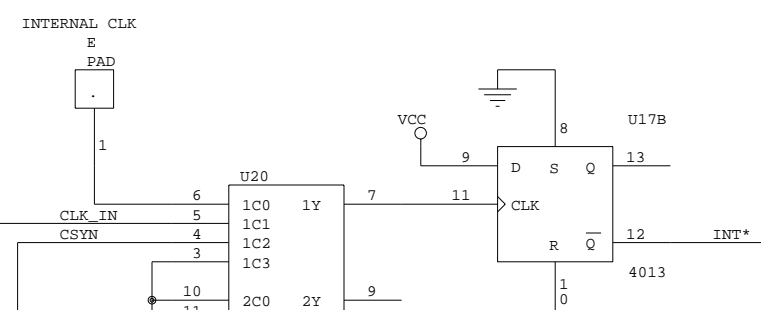
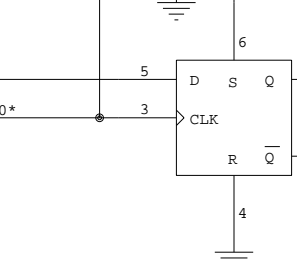
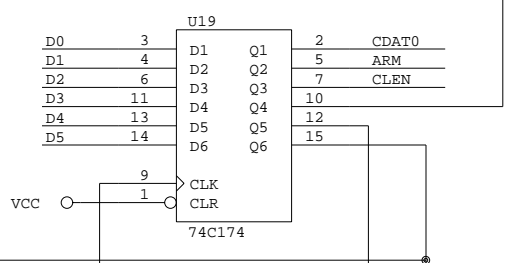
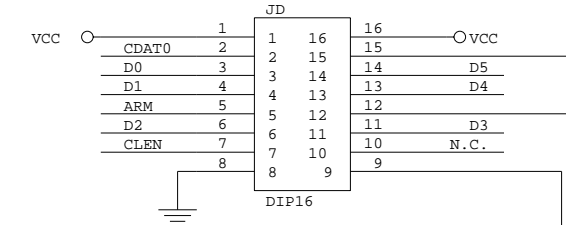
27128 POWER:
PIN 28 = VCC
PIN 14 = GND



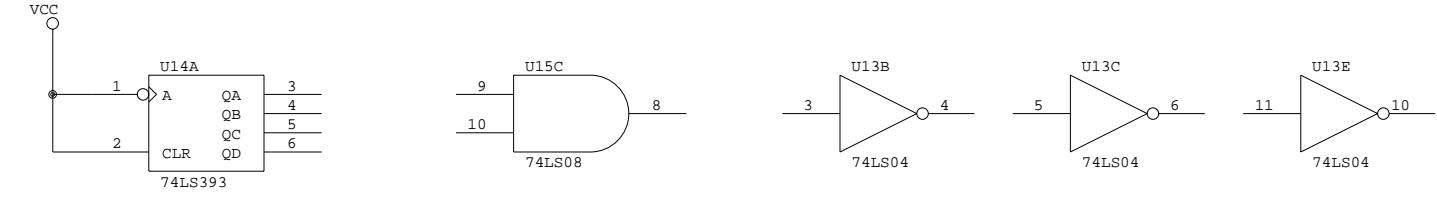
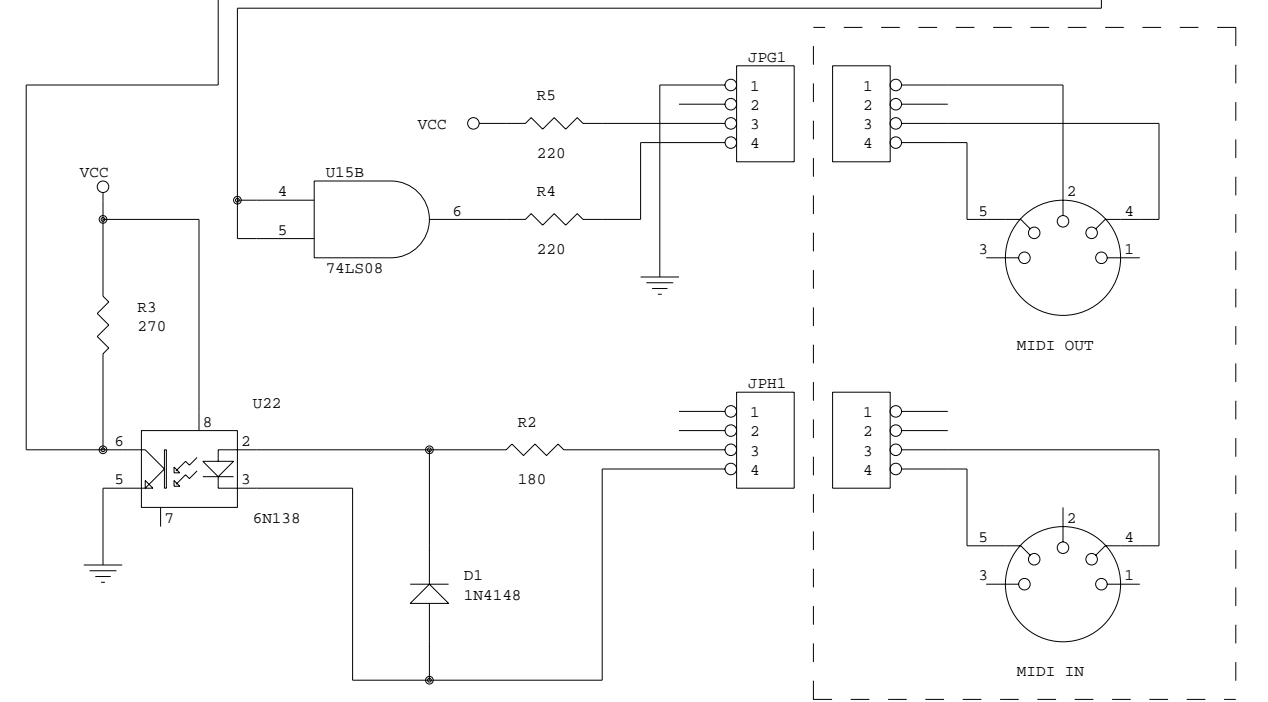
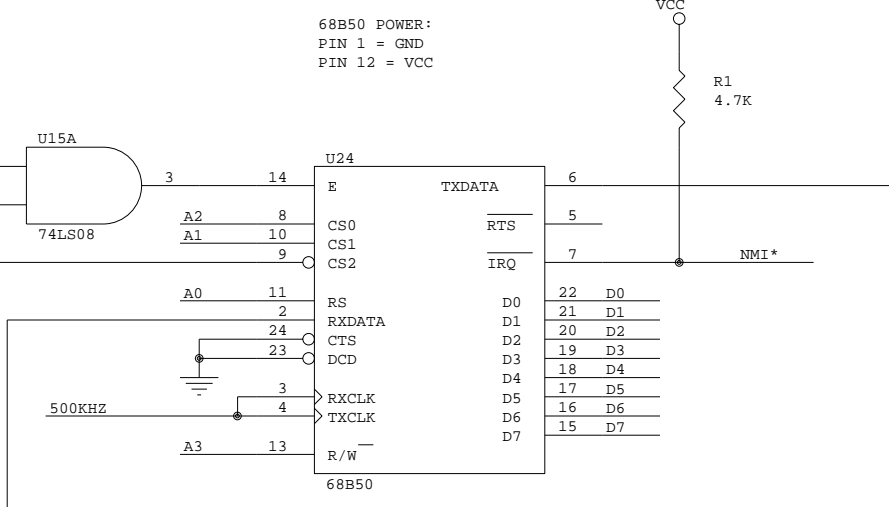
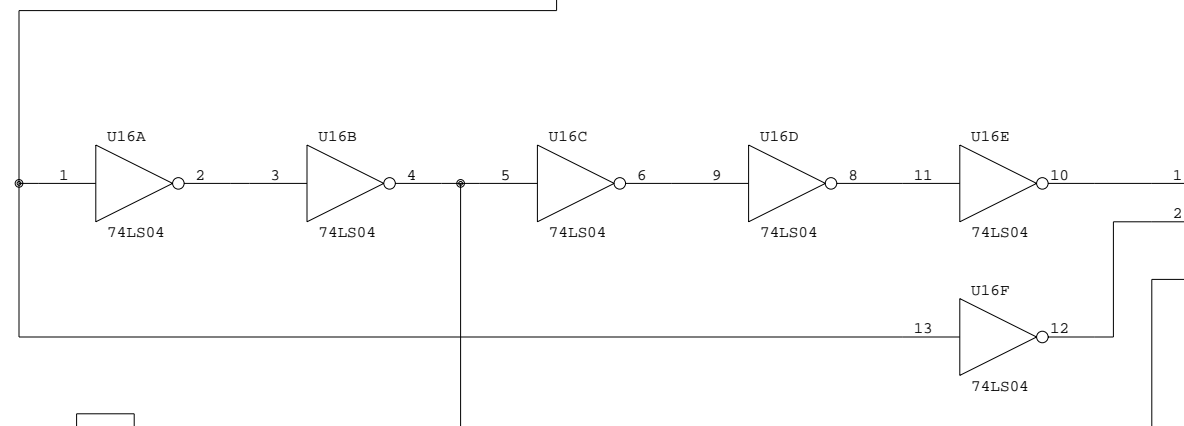
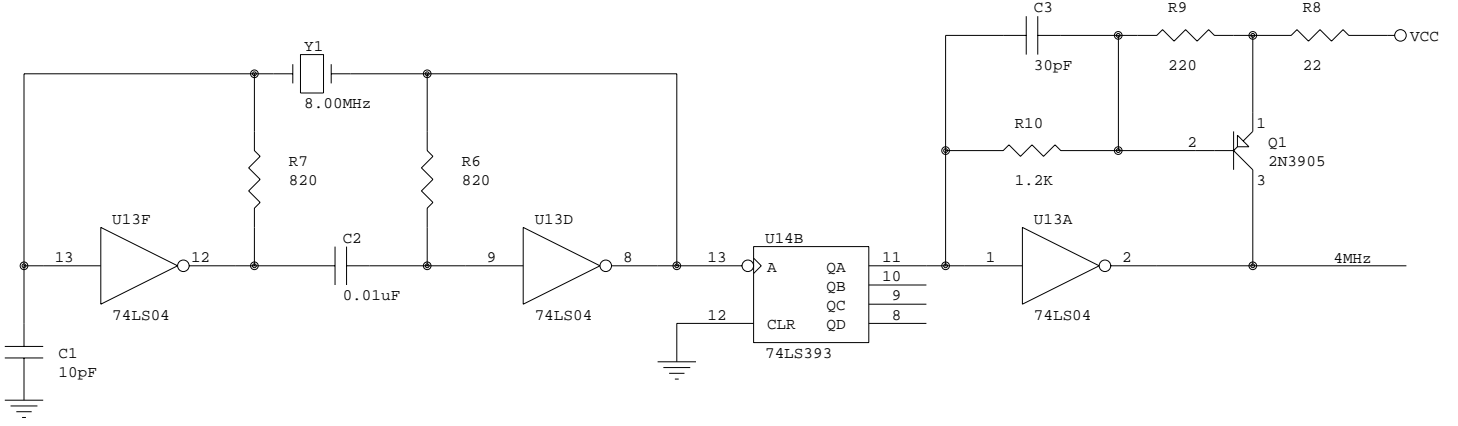
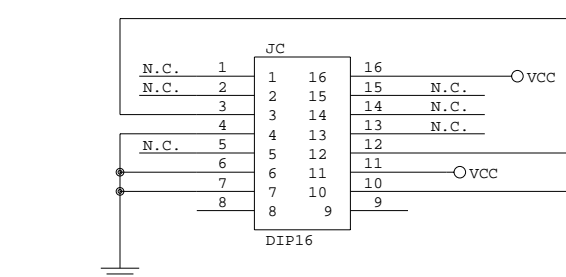
40 PIN RIBBON CONNECTOR -- TO MAIN BOARD Z80 SOCKET



16 PIN RIBBON HEADER TO U20 ON MAIN PCB



16 PIN RIBBON HEADER TO U23 ON MAIN PCB PINS 8 AND 9 OVERHANG U23 SOCKET



Title			
DMX MIDI EXPANSION BOARD			
Size	Document Number	REV	
c	2070	A	
Date:	March 31, 2001	Sheet	1 of 2